

All rights reserved by **CNH Industrial**.

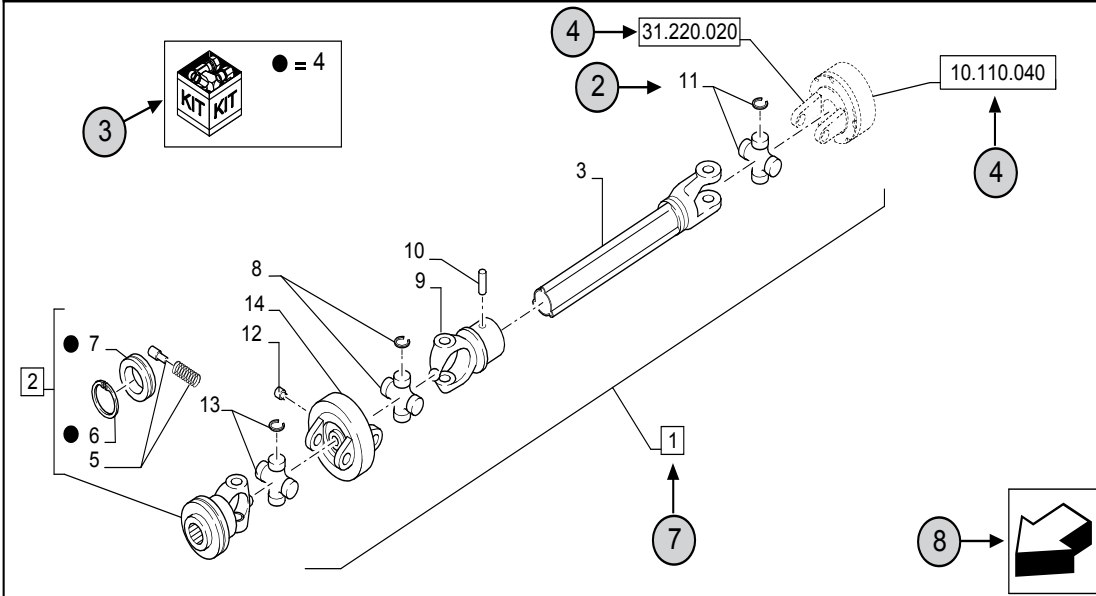
The information contained in this catalogue is intended to be of a general nature only. **CNH Industrial** may at any time and from time to time, for technical or other necessary reasons, modify any of the details or specifications of the product described in this catalogue.

To be sure of getting accurate, detailed and up-to-date information, an intending buyer should consult his nearest **CNH Industrial** dealer or distributor.

Single item numeration method used in this catalogue may not be used without written consent from **CNH Industrial**

31.220.010	01	p1	10/2014
------------	----	----	---------

VAR - 123782, 789101,987654 - PTO - D650



STANDARD ← (6)

(23)	(9)	(10)	31.220.010	01	p1	10/2014
------	-----	------	------------	----	----	---------

VAR - 123782, 789101,987654 - PTO - D650

(11) (12) (13) (14)

REF	FN	PART NUMBER	YR/SN	QTY	DESCRIPTION
1	1	86529340	(20)	1	SHAFT PTO, Incl 2 - 11
2	(15)	84014007		1	YOKE, Incl 4 - 7 ← (7)
3	(16)	NSS		1	NOT SERVICED SEPARATELY, SHAFT, 350mm, Incl in 1
4		84004292		1	KIT, Seal Kit, Incl 6, 7 (17)
4		{84058743}		1	KIT, Seal Kit, Incl 6, 7
(2)	(18)	(19)		(21)	(22)
1 = FOR ITALY ONLY ← (5)					

MODELS ← (1)


- 1 Model Number and Model Description
- 2 Reference - Figure call-out of the part number.
- 3 Parts supplied in repair kits per symbol reference.
- 4 31.220.020 Part illustrated on the **Page** or in the **Figure** indicated, or calls for **Variations** or **Details**. Indicates components shown in detail elsewhere in the catalogue under the figure number shown.
- 5 Footnote references
- 6 Figure notes
- 7 1 2 Includes item(s) (See Description within partlist).
- 8 Orientation. (Arrow indicates front of the machine). 
- 9 Figure description.
- 10 General information of the figure.
- 11 Figure title number that aligns with the SRT. Standard Repair Time.
- 12 **Sequence** code within the assembly.
- 13 Page number within the sequence code.
- 14 **Date** of printing or updating of page (month-year).
- 15 **Note** - Relating to the Part Number. There is a key to symbols and abbreviations at the bottom of the text page.
- 16 Non-serviced parts.
- 17 Further description of the part to help confirm identification.
- 18 Not available as service part.
- 19 Part Number.
- 20 To be defined.
- 21 Total **Quantity** of the Part referred to in the page.
The quantity can be replaced by the following indications:
AR = quantity as requested.
- 22 Part **Description**.
- 23 Variant Codes

TABLE OF CONTENTS

00.000.00		PICTORIAL INDEX - MAIN SECTIONS
00.000.05		PICTORIAL INDEX - SERVICE & MAINTENANCE
00.000.10	01	PICTORIAL INDEX - ENGINE
00.000.10	02	PICTORIAL INDEX - ENGINE
00.000.18		(ON HOLD) PICTORIAL INDEX - CLUTCH
00.000.21	01	PICTORIAL INDEX - TRANSMISSION
00.000.21	02	PICTORIAL INDEX - TRANSMISSION
00.000.21	03	PICTORIAL INDEX - TRANSMISSION
00.000.21	04	PICTORIAL INDEX - TRANSMISSION
00.000.21	05	PICTORIAL INDEX - TRANSMISSION
00.000.21	06	PICTORIAL INDEX - TRANSMISSION
00.000.21	07	PICTORIAL INDEX - TRANSMISSION
00.000.23	01	PICTORIAL INDEX - FOUR WHEEL DRIVE SYSTEM
00.000.23	02	PICTORIAL INDEX - FOUR WHEEL DRIVE SYSTEM
00.000.25	01	PICTORIAL INDEX - FRONT AXLE SYSTEM
00.000.25	02	PICTORIAL INDEX - FRONT AXLE SYSTEM
00.000.25	03	PICTORIAL INDEX - FRONT AXLE SYSTEM
00.000.25	04	PICTORIAL INDEX - FRONT AXLE SYSTEM
00.000.27		PICTORIAL INDEX - REAR AXLE SYSTEM
00.000.31	01	PICTORIAL INDEX - IMPLEMENT POWER TAKE OFF
00.000.31	02	PICTORIAL INDEX - IMPLEMENT POWER TAKE OFF
00.000.31	03	PICTORIAL INDEX - IMPLEMENT POWER TAKE OFF
00.000.33	01	PICTORIAL INDEX - BRAKES & CONTROLS
00.000.33	02	PICTORIAL INDEX - BRAKES & CONTROLS
00.000.33	03	PICTORIAL INDEX - BRAKES & CONTROLS
00.000.33	04	PICTORIAL INDEX - BRAKES & CONTROLS
00.000.33	05	PICTORIAL INDEX - BRAKES & CONTROLS
00.000.35	01	PICTORIAL INDEX - HYDRAULIC SYSTEMS
00.000.35	02	PICTORIAL INDEX - HYDRAULIC SYSTEMS
00.000.35	03	PICTORIAL INDEX - HYDRAULIC SYSTEMS
00.000.35	04	PICTORIAL INDEX - HYDRAULIC SYSTEMS
00.000.35	05	PICTORIAL INDEX - HYDRAULIC SYSTEMS
00.000.35	06	PICTORIAL INDEX - HYDRAULIC SYSTEMS
00.000.35	07	PICTORIAL INDEX - HYDRAULIC SYSTEMS
00.000.37	01	PICTORIAL INDEX - HITCHES, DRAWBARS AND IMPLEMENT COUPLINGS
00.000.37	02	PICTORIAL INDEX - HITCHES, DRAWBARS AND IMPLEMENT COUPLINGS

TABLE OF CONTENTS

00.000.37	03	PICTORIAL INDEX - HITCHES, DRAWBARS AND IMPLEMENT COUPLINGS
00.000.39		PICTORIAL INDEX - FRAMES AND BALLASTING
00.000.41	01	PICTORIAL INDEX - STEERING
00.000.41	02	PICTORIAL INDEX - STEERING
00.000.44	01	PICTORIAL INDEX - FRONT, WHEEL
00.000.44	02	PICTORIAL INDEX - REAR, WHEEL
00.000.50	01	PICTORIAL INDEX - CAB CLIMATE CONTROL
00.000.50	02	PICTORIAL INDEX - CAB CLIMATE CONTROL
00.000.55	01	PICTORIAL INDEX - ELECTRICAL SYSTEMS
00.000.55	02	PICTORIAL INDEX - ELECTRICAL SYSTEMS
00.000.55	03	PICTORIAL INDEX - ELECTRICAL SYSTEMS
00.000.55	04	PICTORIAL INDEX - ELECTRICAL SYSTEMS
00.000.55	05	PICTORIAL INDEX - ELECTRICAL SYSTEMS
00.000.55	06	PICTORIAL INDEX - ELECTRICAL SYSTEMS
00.000.55	07	PICTORIAL INDEX - ELECTRICAL SYSTEMS
00.000.55	08	PICTORIAL INDEX - ELECTRICAL SYSTEMS
00.000.55	09	PICTORIAL INDEX - ELECTRICAL SYSTEMS
00.000.55	10	PICTORIAL INDEX - ELECTRICAL SYSTEMS
00.000.55	11	PICTORIAL INDEX - ELECTRICAL SYSTEMS
00.000.82		PICTORIAL INDEX - FRONT LOADER AND BUCKET
00.000.88		PICTORIAL INDEX - ACCESSORIES
00.000.90	01	PICTORIAL INDEX - PLATFORM, CAB, BODYWORK AND DECALS
00.000.90	02	PICTORIAL INDEX - PLATFORM, CAB, BODYWORK AND DECALS
00.000.90	03	PICTORIAL INDEX - PLATFORM, CAB, BODYWORK AND DECALS
00.100.01	01	IDENTIFICATION PLATES AND VERSION LIST
00.100.04	01	OPTIONAL EQUIPMENT
00.100.04	02	OPTIONAL EQUIPMENT
00.100.04	03	OPTIONAL EQUIPMENT
00.100.04	04	OPTIONAL EQUIPMENT
00.100.04	05	OPTIONAL EQUIPMENT
05.000.00		SECTION INDEX - SERVICE & MAINTENANCE
05.100.01		INITIAL STOCKING LIST (LIST A)
05.100.02		INITIAL STOCKING LIST (LIST B)
05.100.03	03	CAPACITIES
05.100.04	01	MAINTENANCE PARTS - FILTERS
05.100.04	02	MAINTENANCE PARTS - STARTER MOTOR, ALTERNATOR, BELTS

TABLE OF CONTENTS

05.100.04	03	MAINTENANCE PARTS - FUSES
05.100.04	04	MAINTENANCE PARTS - BULBS
05.100.04	05	MAINTENANCE PARTS - PUMPS
10.000.00	01	SECTION INDEX - ENGINE
10.000.00	02	SECTION INDEX - ENGINE
10.001.AD		VAR - 391130, 758000 - ENGINE, ASSY
10.001.AK		VAR - 391130, 758000 - ENGINE, SUPPORT, PIN
10.103.AH		VAR - 391130, 758000 - FLYWHEEL
10.202.AB		VAR - 391130, 758000 - AIR CLEANER, COMPONENTS
10.202.AH	01	VAR - 391215, 758207, 758208, 758210, 758211 - AIR CLEANER, SUPPORT
10.202.AH	02	VAR - 391130, 758000 - AIR CLEANER, SUPPORT, LOWER
10.202.AK		VAR - 391130, 758000 - AIR CLEANER, LINE
10.206.AG	03	VAR - 391131, 758001 - FUEL FILTER, COMPONENTS
10.216.AI	01	VAR - 391131, 758001 - FUEL TANK
10.216.AI	02	VAR - 391131, 758001 - FUEL TANK, COMPONENTS
10.216.AI	03	VAR - 391131, 758001 - FUEL TANK, RH
10.216.AI	04	VAR - 391131, 758001 - FUEL TANK, ASSEMBLY
10.216.AI	05	VAR - 391131, 758001 - FUEL TANK, COVER
10.216.AI	10	VAR - 391131, 758001 - FUEL TANK
10.216.AI	11	VAR - 391131, 758001 - FUEL TANK (RH)
10.216.AI	12	VAR - 391131, 758001 - FUEL TANK, SUPPORT (RH)
10.216.AI	13	VAR - 758001 - FUEL TANK, SHIELD (RH)
10.216.AI	14	VAR - 391131 - FUEL TANK, SUPPORT
10.216.AI	15	VAR - 758001 - FUEL TANK, SUPPORT
10.216.AX		VAR - 391131, 758001 - FUEL COOLER
10.216.BA	01	VAR - 391131, 758001 - FUEL TANK, LINE
10.254.AD	01	VAR - 391130, 758000 - EXHAUST SYSTEM PIPE
10.254.AD	02	VAR - 391209, 758197 - EXHAUST SYSTEM PIPE, COVERS
10.254.AD	02	VAR - 391209, 758197, 758999 - EXHAUST SYSTEM PIPE, COVER
10.254.AD	03	VAR - 391209, 758999 - EXHAUST SYSTEM PIPE, COVER
10.254.AD	04	VAR - 758197 - EXHAUST SYSTEM PIPE, COVERS
10.254.AI		VAR - 391130, 758000 - EXHAUST SYSTEM PIPE
10.254.AZ		VAR - 758005 - EXHAUST BRAKE, PEDAL
10.304.AP		VAR - 391130, 758000 - HOSE, CRANKCASE
10.310.AA	02	VAR - 391130, 758000 - INTERCOOLER, COMPONENTS
10.310.AB		VAR - 391130, 758000 - AFTERCOOLER LINE

TABLE OF CONTENTS

10.400.AK		VAR - 391130, 758000 - EXPANSION TANK, HOSE
10.400.AY		VAR - 391130, 758000 - RADIATOR, HOSE
10.400.BE		VAR - 391130, 758000 - RADIATOR, COMPONENTS
10.400.BF	01	VAR - 391130 - FAN, SHROUD
10.400.BF	04	VAR - 391130, 758000 - RADIATOR, SUPPORT
10.400.BF	08	VAR - 758091 - RADIATOR, SEAL
10.400.BF	10	VAR - 758092 - RADIATOR, SEAL
10.400.BF	17	VAR - 391172, 758095, 758097, 758098, 758099, 758886, 758887 - RADIATOR, SEAL
10.400.BF	19	VAR - 758091, 758093, 758247 - RADIATOR, SEAL
10.400.BF	20	VAR - 391172, 758088, 758089, 758090, 758092, 758095, 758097, 758098, 758099, 758246 - RADIATOR, SEAL
10.400.BF	21	VAR - 758088, 758089, 758089, 7585090 - RADIATOR, SEAL
10.400.BH	01	VAR - 391130, 758000 - EXPANSION TANK
10.400.BH	02	VAR - 391130, 758000 - EXPANSION TANK, COMPONENTS
10.414.AC	01	VAR - 391130 - FAN
10.414.AD	01	VAR - 391130 - FAN, PULLEY
10.414.BE	01	VAR - 391130 - FAN, BELT
10.500.AA		VAR - 391131, 758001 - DEF/ADBLUE™ TANK, COMPONENTS
10.500.AD	01	VAR - 391130, 758000 - DEF/ADBLUE™ LINES
10.500.AD	02	VAR - 391130, 758000 - DEF/ADBLUE™ LINES
10.500.AG		VAR - 391130, 758000 - DEF/ADBLUE™ LINES
10.500.AR		VAR - 391131, 758001 - HEATER VALVE
10.500.AS	02	VAR - 391130, 758000 - EXHAUST SYSTEM - DIESEL OXIDATION CATALYST
18.000.00		(ON HOLD) SECTION INDEX - CLUTCH
18.100.AF	02	VAR - 337426, 337428, 337429, 337430, 337431, 337432, 391137, 758017, 758018, 758019, 758020, 758021 - CLUTCH, PEDAL
21.000.00	01	SECTION INDEX - TRANSMISSION
21.000.00	02	SECTION INDEX - TRANSMISSION
21.000.00	03	SECTION INDEX - TRANSMISSION
21.000.00	04	SECTION INDEX - TRANSMISSION
21.000.00	05	SECTION INDEX - TRANSMISSION
21.000.00	06	SECTION INDEX - TRANSMISSION
21.000.00	07	SECTION INDEX - TRANSMISSION
21.105.BL	01	VAR - 391161, 758056 - TRANSMISSION, LUBRICATION LINE
21.105.BL	02	VAR - 337429, 337430, 337431, 337432, 758018, 758019, 758020, 758021 - TRANSMISSION LUBRICATION LINE, POWERSHIFT
21.109.AD	01	VAR - 337426, 337428, 337429, 337430, 337431, 337432, 391137, 758017, 758018, 758019, 758020, 758021, 759052 - TRANSMISSION, OIL COOLER, LINE
21.109.AD	02	VAR - 337426, 337428, 337429, 337430, 337431, 337432, 391137, 758017, 758018, 758019, 758020, 758021, 759052 - TRANSMISSION, OIL COOLER, LINE

TABLE OF CONTENTS

21.113.00		SERVICE KIT, TRANSMISSION, FULL-POWERSHIFT
21.118.AF	09	VAR - 337426, 337428, 337429, 337430, 337431, 337432, 338397, 391137, 758017, 758018, 758019, 758020, 758021, 758868, 759052 - TRANSMISSION HOUSING, POWERSHIFT
21.118.AF	10	VAR - 337426, 337428, 337429, 337430, 337431, 337432, 338397, 391137, 758017, 758018, 758019, 758020, 758021, 758868, 759052 - TRANSMISSION HOUSING, POWERSHIFT
21.118.AF	11	VAR - 337426, 337427, 337428, 337429, 337430, 337431, 337432, 337433, 338397, 391137, 391138, 758017, 758018, 758019, 758020, 758021, 758022, 758870, 759052, 759052, 759053 - TRANSMISSION HOUSING, PLUGS
21.118.AF	12	VAR - 337426, 337428, 338397, 391137, 758017 - TRANSMISSION HOUSING, POWERSHIFT, PLUGS
21.118.AF	14	VAR - 332336, 332337, 332338, 332339, 332340, 337426, 337428, 337428, 337430, 337431, 337432, 392137, 759052, 759053 - TRANSMISSION HOUSING, PLUGS
21.118.AJ	01	VAR - 758007 - TRANSMISSION OIL, HEATER (110V)
21.118.AJ	02	VAR - 758008 - TRANSMISSION OIL, HEATER (240V)
21.118.AJ	03	VAR - 758008 - TRANSMISSION OIL, HEATER (240V)
21.120.AB	01	VAR - 391137, 337426, 337428, 337429, 337430, 337431, 337432, 338397, 758017, 758018, 758019, 758020, 758021, 759052, 759053 - GEARBOX, POWERSHIFT
21.120.AB	02	VAR - 391137, 337426, 337428, 337429, 337430, 337431, 337432, 338397, 758017, 758018, 758019, 758020, 758021, 759052 - GEARBOX, POWERSHIFT
21.120.AB	03	VAR - 391137, 337426, 337428, 337429, 337430, 337431, 337432, 338339, 758017, 758018, 758019, 758020, 758021, 759052 - GEARBOX, POWERSHIFT
21.120.AB	09	VAR - 337426, 336428, 337429, 337430, 337431, 337432, 391137, 758017, 758018, 758019, 758020, 759021, 758868, 758869, 758870, 759052, 759053 - GEARBOX, SPACER, BEARING
21.135.AQ	01	VAR - 337426, 337428, 337429, 337430, 337431, 337432, 338397, 391137, 758017, 758018, 758019, 758020, 758021, 759052 - TRANSMISSION CONTROL VALVE
21.135.AQ	02	VAR - 337426, 337428, 337429, 337430, 337431, 337432, 338397, 391137, 758017, 758018, 758019, 758020, 758021, 759052 - TRANSMISSION CONTROL VALVE
21.135.AQ	03	VAR - 337426, 337428, 337429, 337430, 337431, 337432, 391137, 758018, 758019, 758020, 758021, 759052 - TRANSMISSION CONTROL VALVE
21.135.AQ	04	VAR - 337429 - 337430 - 337431 - 337432 - 758018 - 758019 - 758020 - 758021 - TRANSMISSION 19X6, SAFETY VALVE, POWERSHIFT
21.135.AQ	05	VAR - 337426, 337428, 337429, 337430, 337431, 337432, 338397, 391137, 758017, 758018, 758019, 758020, 758021, 759052 - TRANSMISSION CONTROL VALVE, TUBE
21.148.AC	01	VAR - 337426, 337428, 337429, 337430, 337431, 337432, 338397, 391137, 758017, 758018, 758019, 758020, 758021, 759052 - CENTRAL REDUCTION GEAR, PINION SHAFT, POWERSHIFT
21.148.AC	02	VAR - 337426, 337428, 337429, 337430, 337431, 337432, 338397, 392137, 758017, 758018, 758019, 758020, 758021, 759052 - CENTRAL REDUCTION GEAR, PINION SHAFT, POWERSHIFT
21.148.AC	03	VAR - 337426, 337428, 337429, 337430, 337431, 337432, 338397, 392137, 758017, 758018, 758019, 758020, 758021, 758869, 759052 - CENTRAL REDUCTION GEAR, PINION SHAFT, POWERSHIFT
21.148.AC	04	VAR - 337426, 337428, 337429, 337430, 337431, 337432, 338397, 392137, 758017, 758018, 758019, 758020, 758021, 758869, 759052 - CENTRAL REDUCTION GEAR, PINION SHAFT, POWERSHIFT
21.148.AC	08	VAR - 337426, 337429, 337431, 391136, 391137, 391138, 391351, 758012, 758014, 758016, 758018, 758020, 758022, 758867, 759052 - BEVEL PINION, COUPLING
21.155.AA	01	VAR - 337426, 337428, 337429, 337430, 337431, 337432, 338397, 391137, 758017, 758018, 758019, 758020, 758021, 758868, 759052 - FRONT COVER, MANIFOLD
21.155.AA	02	VAR - 337426, 337428, 337429, 337430, 337431, 337432, 338397, 391137, 758017, 758018, 758019, 758020, 758021, 758868, 759052 - FRONT COVER, MANIFOLD
21.155.AA	03	VAR - 337426, 337428, 337429, 337430, 337431, 337432, 338397, 391137, 758017, 758018, 758019, 758020, 758021, 758868, 759052 - FRONT COVER, MANIFOLD
21.155.AA	04	VAR - 337426, 337428, 337429, 337430, 337431, 337432, 338397, 391137, 758017, 758018, 758019, 758020, 758021, 758868, 759052 - FRONT COVER, MANIFOLD
21.155.AA	05	VAR - 337426, 337428, 337429, 337430, 337431, 337432, 338397, 391137, 758017, 758018, 758019, 758020, 758021, 758868, 759052 - FRONT COVER, MANIFOLD
21.155.AA	06	VAR - 337426, 337428, 337429, 337430, 337431, 337432, 338397, 391137, 758017, 758018, 758019, 758020, 758021, 758868, 759052 - FRONT COVER, MANIFOLD
21.155.AA	07	VAR - 337426, 337428, 337429, 337430, 337431, 337432, 338397, 391137, 758017, 758018, 758019, 758020, 758021, 758868, 759052 - FRONT COVER, MANIFOLD
21.155.AA	08	VAR - 337426, 337428, 337429, 337430, 337431, 337432, 338397, 391137, 758017, 758018, 758019, 758020, 758021, 758868, 759052 - FRONT COVER, MANIFOLD

TABLE OF CONTENTS

21.155.AA	09	VAR - 337426, 337428, 337429, 337430, 337431, 337432, 338397, 391137, 758017, 758018, 758019, 758020, 758021, 758868, 759052 - FRONT COVER, MANIFOLD
21.155.AA	10	VAR - 337426, 337428, 337429, 337430, 337431, 337432, 338397, 391137, 758017, 758018, 758019, 758020, 758021, 759052 - CENTRAL REDUCTION GEAR, RANGE GEAR
21.155.AA	11	VAR - 337426, 337428, 337429, 337430, 337431, 337432, 338397, 391137, 758017, 758018, 758019, 758020, 758021, 759052 - CENTRAL REDUCTION GEAR, SHIM
21.155.AA	12	VAR - 337426, 337428, 337429, 337430, 337431, 337432, 338397, 391137, 758017, 758018, 758019, 758020, 758021, 759052 - CENTRAL REDUCTION GEAR, SHIM
21.155.AA	13	VAR - 337426, 337428, 337429, 337430, 337431, 337432, 338397, 391137, 758017, 758018, 758019, 758020, 758021, 759052 - CENTRAL REDUCTION GEAR, CLUTCH
21.155.AA	14	VAR - 337426, 337428, 337429, 337430, 337431, 337432, 338397, 391137, 758017, 758018, 758019, 758020, 758021, 759052 - CENTRAL REDUCTION GEAR, CLUTCH
21.155.AA	15	VAR - 337426, 337428, 337429, 337430, 337431, 337432, 338397, 391137, 758017, 758018, 758019, 758020, 758021, 759052 - CENTRAL REDUCTION GEAR, SHIM
21.155.AA	16	VAR - 337426, 337428, 337429, 337430, 337431, 337432, 338397, 391137, 758017, 758018, 758019, 758020, 758021, 759052 - CENTRAL REDUCTION GEAR, CLUTCH, GEAR, REVERSER
21.155.AA	17	VAR - 337426, 337428, 337429, 337430, 337431, 337432, 338397, 391137, 758017, 758018, 758019, 758020, 758021, 759052 - CENTRAL REDUCTION GEAR, CLUTCH, REVERSER
21.155.AA	18	VAR - 337429, 337430, 337431, 337432, 758018, 758019, 758020, 758021, 759052 - TRANSMISSION 19X6, CLUTCH, MANIFOLD, POWERSHIFT
21.155.AA	19	VAR - 337429, 337430, 337431, 337432, 758018, 758019, 758020, 758021, 759052 - TRANSMISSION 19X6, CLUTCH, 19 GEAR, POWERSHIFT
21.155.AN		VAR - 337426, 337428, 337429, 337430, 337431, 337432, 338397, 391137, 758017, 758018, 758019, 758020, 758021, 759052, 759053 - TRANSMISSION, PTO, INPUT SHAFT
21.155.AN	02	VAR - 759052 - BEARING, INPUT SHAFT
21.160.AK		VAR - 337426, 337428, 337430, 337432, 338397, 758017, 758019, 758021 - CREEPER, CONTROL LEVER
21.160.AL		VAR - 337428, 337430, 337432, 758017, 758019, 758021 - CREEPER, GEAR
21.160.AP		VAR - 337426, 337428, 337430, 337432, 338397, 758017, 758019, 758021, 758867 - CREEPER, CONTROL VALVE
21.182.AF	01	VAR - 337426, 337427, 337428, 337429, 337430, 337431, 337432, 337433, 338397, 391137, 391138, 758017, 758018, 758019, 758020, 758021, 758022, 758868, 758869, 758870, 759052, 759053 - TRANSMISSION
21.182.AF	02	VAR - 337426, 337427, 337428, 337429, 337430, 337431, 337432, 337433, 391137, 391138, 758017, 758018, 758019, 758020, 758021, 758022, 759052, 759053 - TRANSMISSION
21.506.AI		VAR - 337426, 337428, 337429, 337430, 337431, 337432, 338396, 391137, 758017, 758018, 758019, 758020, 758021, 759052 - TRANSMISSION, INLINE
21.900.AA	01	VAR - 391161, 758056 - HYDRAULIC PUMP, DRIVEN GEAR
21.900.AA	02	VAR - 391161, 391374, 758056 - HYDRAULIC PUMP, DRIVEN GEAR, SHIM
23.000.00	01	SECTION INDEX - FOUR WHEEL DRIVE SYSTEM
23.000.00	02	SECTION INDEX - FOUR WHEEL DRIVE SYSTEM
23.202.AP	02	VAR - 337426, 337428, 337429, 337430, 337431, 337432, 338397, 391137, 758017, 758018, 758019, 758020, 758021 - 4WD ENGAGEMENT CLUTCH CONTROL, SHIM, POWERSHIFT
23.202.AP	03	VAR - 337426, 337428, 337429, 337430, 337431, 337432, 338397, 391137, 758017, 758018, 758019, 758020, 758021, 759052 - 4WD ENGAGEMENT CLUTCH CONTROL, HOUSING, POWERSHIFT
23.202.AP	04	VAR - 337426, 337428, 337429, 337430, 337431, 337432, 391137, 758017, 758018, 758019, 758020, 758021, 759052 - 4WD ENGAGEMENT CLUTCH CONTROL, POWERSHIFT
23.314.AH	01	VAR - 337426, 337429, 337430, 337432, 391137, 391138, 758017, 758018, 758019, 758020, 758021, 758022, 759052, 759053 - 4WD FRONT AXLE, DRIVE SHAFT
23.314.AH	02	VAR - 337416, 758048, 758049 - 4WD FRONT AXLE, DRIVE SHAFT
23.314.AH	03	VAR - 391157 - 4WD FRONT AXLE, DRIVE SHAFT
23.314.AH	04	VAR - 758050 - 4WD FRONT AXLE, DRIVE SHAFT
23.314.AH	07	VAR - 337416, 758048, 758049 - 4WD FRONT AXLE, DRIVE SHAFT, GUARD, COVER
23.314.AH	08	VAR - 391157 - 4WD FRONT AXLE, DRIVE SHAFT, GUARD

TABLE OF CONTENTS

23.314.AH	10	VAR - 758050 - 4WD FRONT AXLE, DRIVE SHAFT, GUARD
25.000.00	01	SECTION INDEX - FRONT AXLE SYSTEM
25.000.00	02	SECTION INDEX - FRONT AXLE SYSTEM
25.000.00	03	SECTION INDEX - FRONT AXLE SYSTEM
25.000.00	04	SECTION INDEX - FRONT AXLE SYSTEM
25.100.AA	01	VAR - 391157 - 4WD FRONT AXLE
25.100.AA	02	VAR - 758048 - FRONT AXLE, SUSPENDED
25.100.AA	03	VAR - 758049 - FRONT AXLE, SUSPENDED W/BRAKES
25.100.AA	04	VAR - 758050 - SUPERSTEER FRONT AXLE
25.100.AD	01	VAR - 391157 - 4WD FRONT AXLE, HOUSING
25.100.AD	02	VAR - 337416, 758048 - FRONT AXLE, SUSPENDED, HOUSING
25.100.AD	03	VAR - 337416, 758049 - FRONT AXLE, SUSPENDED W/BRAKES, HOUSING
25.100.AD	04	VAR - 758050 - SUPERSTEER FRONT AXLE, HOUSING
25.100.AD	07	VAR - 391157 - 4WD FRONT AXLE, HOUSING
25.100.AD	08	VAR - 758048 - SUSPENDED FRONT AXLE, HOUSING
25.100.AD	09	VAR - 758049 - SUSPENDED FRONT AXLE, W/ FRONT BRAKES, HOUSING
25.100.AD	10	VAR - 758050 - SUPERSTEER FRONT AXLE, HOUSING
25.100.AI	01	VAR - 758050 - SUPERSTEER FRONT AXLE, ARTICULATION, SUPPORT
25.100.AI	02	VAR - 758050 - SUPERSTEER FRONT AXLE , AXLE ARTICULATION SUPPORT
25.100.AV	01	VAR - 391157 - FRONT AXLE SUPPORT, AXLE, STANDARD
25.100.AV	02	VAR - 337416, 758048, 758049 - FRONT AXLE SUPPORT, AXLE, SUSPENSION
25.100.AV	03	VAR - 391172, 758095, 758097, 758098, 758099, 758050 - FRONT AXLE SUPPORT, SUPERSTEER FRONT AXLE
25.100.AV	04	VAR - 391172 - FRONT AXLE SUPPORT
25.100.AV	05	VAR - 391157 - FRONT AXLE SUPPORT, TRUNNION
25.100.AV	06	VAR - 758050 - FRONT AXLE SUPPORT, TRUNNION
25.100.AV	07	VAR - 337416, 758048, 758049 - SUSPENDED FRONT AXLE, SUPPORT
25.100.AV	08	VAR - 337416, 758048, 758049 - FRONT AXLE SUPPORT, AXLE, SUSPENSION, ACCELERATOR, SENSOR
25.100.AV	10	VAR - 391209, 758197 - PLUG, W/O FRONT LOADER
25.100.BL	01	VAR - 337416, 758048, 758049 - SUSPENDED FRONT AXLE, ARM
25.100.BL	02	VAR - 337416, 758048, 758049 - SUSPENDED FRONT AXLE, ARM, COMPONENTS
25.102.AB	01	VAR - 391157 - 4WD FRONT AXLE, BEVEL PINION
25.102.AB	02	VAR - 337416, 758048 - FRONT AXLE, SUSPENDED, BEVEL PINION
25.102.AB	03	VAR - 337416, 758049 - FRONT AXLE, SUSPENDED W/BRAKES, BEVEL PINION
25.102.AB	04	VAR - 758050 - SUPERSTEER FRONT AXLE, BEVEL PINION
25.102.AB	06	VAR - 391157 - 4WD FRONT AXLE, DIFFERENTIAL, BEVEL PINION
25.102.AB	07	VAR - 758048, 758049 - SUSPENDED FRONT AXLE, DIFFERENTIAL, BEVEL PINION

TABLE OF CONTENTS

25.102.AB	08	SUPERSTEER FRONT AXLE, DIFFERENTIAL, BEVEL PINION
25.102.AC	01	VAR - 391157 - 4WD FRONT AXLE, DIFFERENTIAL CARRIER
25.102.AC	02	VAR - 337416, 758048 - FRONT AXLE, SUSPENDED, DIFFERENTIAL CARRIER
25.102.AC	03	VAR - 337416, 758049 - FRONT AXLE, SUSPENDED W/BRAKES, DIFFERENTIAL CARRIER
25.102.AC	04	VAR - 758050 - SUPERSTEER FRONT AXLE, DIFFERENTIAL CARRIER
25.102.AC	05	VAR - 758050 - SUPERSTEER FRONT AXLE, DIFFERENTIAL CARRIER
25.102.AC	07	VAR - 391157 - 4WD FRONT AXLE, DIFFERENTIAL, DIFFERENTIAL CARRIER
25.102.AC	08	VAR - 758048, 758049 - SUSPENDED FRONT AXLE, DIFFERENTIAL, DIFFERENTIAL CARRIER
25.102.AC	09	VAR - 758050 - SUPERSTEER FRONT AXLE, DIFFERENTIAL, DIFFERENTIAL CARRIER
25.102.AC	10	VAR - 758050 - SUPERSTEER FRONT AXLE, DIFFERENTIAL, DIFFERENTIAL CARRIER, PIPE
25.102.AD	01	VAR - 391157 - 4WD FRONT AXLE, DIFFERENTIAL
25.102.AD	02	VAR - 337416, 758048 - FRONT AXLE, SUSPENDED, DIFFERENTIAL
25.102.AD	03	VAR - 337416, 758049 - FRONT AXLE, SUSPENDED W/BRAKES, DIFFERENTIAL
25.102.AD	04	VAR - 758050 - SUPERSTEER FRONT AXLE, DIFFERENTIAL
25.102.AD	06	VAR - 391157 - 4WD FRONT AXLE, DIFFERENTIAL
25.102.AD	07	VAR - 391157 - 4WD FRONT AXLE, DIFFERENTIAL, HOUSING
25.102.AD	08	VAR - 758048 - SUSPENDED FRONT AXLE, DIFFERENTIAL
25.102.AD	09	VAR - 758048, 758049 - SUSPENDED FRONT AXLE, DIFFERENTIAL, HOUSING
25.102.AD	10	VAR - 758049 - SUSPENDED FRONT AXLE, W/ FRONT BRAKES, DIFFERENTIAL, HOUSING
25.102.AD	11	VAR - 758050 - SUPERSTEER FRONT AXLE, DIFFERENTIAL
25.102.AD	12	VAR - 758050 - SUPERSTEER FRONT AXLE, DIFFERENTIAL, HOUSING
25.102.AS	01	VAR - 391157 - 4WD FRONT AXLE, DIFFERENTIAL LOCK
25.102.AS	02	VAR - 337416, 758048 - FRONT AXLE, SUSPENDED, DIFFERENTIAL LOCK
25.102.AS	03	VAR - 337416, 758049 - FRONT AXLE, SUSPENDED W/BRAKES, DIFFERENTIAL LOCK
25.102.AS	04	VAR - 758050 - SUPERSTEER FRONT AXLE, DIFFERENTIAL LOCK
25.102.AS	06	VAR - 391157 - 4WD FRONT AXLE, DIFFERENTIAL, DIFFERENTIAL LOCK
25.102.AS	07	VAR - 758048, 758049 - SUSPENDED FRONT AXLE, DIFFERENTIAL, DIFFERENTIAL LOCK
25.102.AS	08	VAR - 758050 - SUPERSTEER FRONT AXLE, DIFFERENTIAL, DIFFERENTIAL LOCK
25.102.AT	02	VAR - 391157 - 4WD FRONT AXLE, DIFFERENTIAL LOCK, LINE
25.102.AT	03	VAR - 337416, 758048, 758049 - FRONT AXLE, SUSPENDED, DIFFERENTIAL LOCK, LINE
25.102.AT	05	VAR - 758050 - SUPERSTEER FRONT AXLE, DIFFERENTIAL LOCK, LINE
25.108.AA	01	VAR - 337416, 391157 - 4WD FRONT AXLE, SHAFT
25.108.AA	02	VAR - 337416, 758048 - SUSPENDED FRONT AXLE, SHAFT
25.108.AA	03	VAR - 337416, 758049 - SUSPENDED FRONT AXLE, W/ BRAKE, SHAFT
25.108.AA	04	VAR - 337416, 758050 - SUPERSTEER FRONT AXLE, SHAFT
25.108.AA	06	VAR - 391157 - 4WD FRONT AXLE, SHAFT

TABLE OF CONTENTS

25.108.AA	07	VAR - 758048 - SUSPENDED FRONT AXLE, SHAFT
25.108.AA	08	VAR - 758049 - SUSPENDED FRONT AXLE, W/ FRONT BRAKES, SHAFT
25.108.AA	09	VAR - 758050 - SUPERSTEER FRONT AXLE, SHAFT
25.108.AB	01	VAR - 391157 - 4WD FRONT AXLE, PLANETARY GEAR
25.108.AB	02	VAR - 758048 - SUSPENDED FRONT AXLE, PLANETARY GEAR
25.108.AB	03	VAR - 758049 - SUSPENDED FRONT AXLE, W/ FRONT BRAKES, PLANETARY GEAR
25.108.AB	04	VAR - 758050 - SUPERSTEER FRONT AXLE, PLANETARY GEAR
25.108.AC	01	VAR - 391157 - 4WD FRONT AXLE, FINAL DRIVE
25.108.AC	02	VAR - 758048 - FRONT AXLE, SUSPENDED, FINAL DRIVE
25.108.AC	03	VAR - 337416, 758049 - FRONT AXLE, SUSPENDED W/BRAKES, FINAL DRIVE
25.108.AC	04	VAR - 758050 - SUPERSTEER FRONT AXLE, FINAL DRIVE
25.108.AC	06	VAR - 391157, 758048 - 4WD FRONT AXLE, STEERING KNUCKLE, RH, FINAL DRIVE
25.108.AC	07	VAR - 391157, 758048 - 4WD FRONT AXLE, STEERING KNUCKLE, LH, FINAL DRIVE
25.108.AC	08	VAR - 758049 - SUSPENDED FRONT AXLE, W/ FRONT BRAKES, FINAL DRIVE
25.108.AC	09	VAR - 758050 - SUPERSTEER FRONT AXLE, FINAL DRIVE
25.108.AG	01	VAR - 391157 - 4WD FRONT AXLE, STEERING KNUCKLE, RH
25.108.AG	02	VAR - 391157 - 4WD FRONT AXLE, STEERING KNUCKLE, LH
25.108.AG	03	VAR - 758048 - FRONT AXLE, SUSPENDED, STEERING KNUCKLE, RH
25.108.AG	04	VAR - 758048 - FRONT AXLE, SUSPENDED, STEERING KNUCKLE, LH
25.108.AG	05	VAR - 337416, 758049 - FRONT AXLE, SUSPENDED W/BRAKES, STEERING KNUCKLE, RH
25.108.AG	06	VAR - 337416, 758049 - FRONT AXLE, SUSPENDED W/BRAKES, STEERING KNUCKLE, LH
25.108.AG	07	VAR - 758050 - SUPERSTEER FRONT AXLE, STEERING KNUCKLE, RH
25.108.AG	08	VAR - 758050 - SUPERSTEER FRONT AXLE, STEERING KNUCKLE, LH
25.108.AG	11	VAR - 391157 - 4WD FRONT AXLE, STEERING KNUCKLE, RH
25.108.AG	12	VAR - 391157 - 4WD FRONT AXLE, STEERING KNUCKLE, LH
25.108.AG	13	VAR - 758048 - SUSPENDED FRONT AXLE, STEERING KNUCKLE, RH
25.108.AG	14	VAR - 758048 - SUSPENDED FRONT AXLE, STEERING KNUCKLE, LH
25.108.AG	15	VAR - 758049 - SUSPENDED FRONT AXLE, W/ FRONT BRAKES, STEERING KNUCKLE, RH
25.108.AG	16	VAR - 758049 - SUSPENDED FRONT AXLE, W/ FRONT BRAKES, STEERING KNUCKLE, LH
25.108.AG	17	VAR - 758050 - SUPERSTEER FRONT AXLE, STEERING KNUCKLE, LH
25.108.AG	18	VAR - 758050 - SUPERSTEER FRONT AXLE, STEERING KNUCKLE, RH
25.108.AN	01	VAR - 391157 - 4WD FRONT AXLE, WHEEL, HUB
25.108.AN	02	VAR - 758048 - FRONT AXLE, SUSPENSION, WHEEL, HUB
25.108.AN	03	VAR - 758049 - FRONT AXLE, SUSPENSION W/BRAKES, WHEEL, HUB
25.108.AN	04	VAR - 758050 - SUPERSTEER FRONT AXLE, WHEEL, HUB
25.108.AN	06	VAR - 391157, 758048 - 4WD FRONT AXLE, STEERING KNUCKLE, RH, WHEEL, HUB

TABLE OF CONTENTS

25.108.AN	07	VAR - 391157, 758048 - 4WD FRONT AXLE, STEERING KNUCKLE, LH, WHEEL, HUB
25.108.AN	08	VAR - 758049 - SUSPENDED FRONT AXLE, W/ FRONT BRAKES, WHEEL, HUB
25.108.AN	09	VAR - 758050 - SUPERSTEER FRONT AXLE, WHEEL, HUB
25.122.AA		VAR - 337416, 758048, 758049 - SUSPENDED FRONT AXLE, ACCUMULATOR
25.122.AB	01	VAR - 337416, 758048, 758049 - SUSPENDED FRONT AXLE, CYLINDER
25.122.AB	02	VAR - 337416, 758048, 758049 - SUSPENDED FRONT AXLE, CYLINDER, COMPONENTS - C7501
25.122.AB	02A	VAR - 337416, 758048, 758049 - SUSPENDED FRONT AXLE, CYLINDER, COMPONENTS - D7501
25.122.AB	03	VAR - 337416, 758048, 758049 - SUSPENDED FRONT AXLE, CYLINDER, COMPONENTS - C7501
25.122.AB	03A	VAR - 337416, 758048, 758049 - SUSPENDED FRONT AXLE, CYLINDER, COMPONENTS - D7501
25.122.AB	04	VAR - 337416, 758048, 758049 - SUSPENDED FRONT AXLE, CYLINDER, COMPONENTS - C7501
25.122.AB	04A	VAR - 337416, 758048, 758049 - SUSPENDED FRONT AXLE, CYLINDER, COMPONENTS - D7501
25.122.AD	01	VAR - 332416, 391168, 758048, 758049, 758064, 758065, 758066 - SUSPENDED FRONT AXLE, CONTROL VALVE LINE, POWERSHIFT
25.122.AD	02	VAR - 337416, 758048, 758049 - SUSPENDED FRONT AXLE, CYLINDER, LINE
25.122.AL	01	VAR - 758048, 758049 - FRONT AXLE, SUSPENDED, CONTROL VALVE, POWERSHIFT
25.122.AL	02	VAR - 758048, 758049 - FRONT AXLE, SUSPENDED, CONTROL VALVE, COMPONENTS, POWERSHIFT
27.000.00		SECTION INDEX - REAR AXLE SYSTEM
27.100.AB	01	VAR - 337426, 337428, 337429, 337430, 337431, 337432, 338397, 391137, 391138, 758017, 758018, 758019, 758020, 758021, 758869, 758869, 758870, 759052, 759053 - TRANSMISSION, SUPPORT, POWERSHIFT
27.100.AI	01	VAR - 337426, 337427, 337428, 337429, 337430, 337431, 337432, 337433, 391137, 391138, 758017, 758018, 758019, 758020, 758021, 758022, 759052, 759053 - REAR AXLE, HOUSING, BREATHER
27.120.AF	04	VAR - 391159, 708052 - REAR AXLE, FINAL DRIVE, SHAFT, PLANETARY GEAR, 98 INCH
27.120.AF	05	VAR - 391158 - REAR AXLE, FINAL DRIVE, SHAFT, PLANETARY GEAR
27.120.AF	15	VAR - 758053 - REAR AXLE, FINAL DRIVE, SHAFT, PLANETARY GEAR, 112 INCH
27.120.AF	16	VAR - 758054 - REAR AXLE, FINAL DRIVE, SHAFT, PLANETARY GEAR, 119 INCH
27.120.AI	01	VAR - 391158, 391159, 758052, 758053, 758054 - REAR AXLE, FINAL DRIVE, AXLE HOUSING
27.120.AR	01	VAR - 332639 - REAR AXLE, WHEEL HUB
27.120.AR	02	VAR - 337418, 337420, 337422, 337425, 391159, 758052, 758053, 758054, 758162 - REAR AXLE, WHEEL HUB
31.000.00	01	SECTION INDEX - IMPLEMENT POWER TAKE OFF
31.000.00	02	SECTION INDEX - IMPLEMENT POWER TAKE OFF
31.000.00	03	SECTION INDEX - IMPLEMENT POWER TAKE OFF
31.101.AC	01	VAR - 338178, 391141 - PTO 540E/1000 RPM, CONTROL LEVER
31.101.AC	02	VAR - 338179, 338182, 758025, 758029 - PTO 1000/1000E RPM, CONTROL LEVER
31.101.AC	03	VAR - 338178, 338179, 338181, 338182, 392141, 392145, 758025, 758028, 758029, 758030 - PTO (2 - SPEED, 4 - SPEED), CONTROL LEVER
31.104.AR	03	VAR - 337426, 337428, 337430, 337432, 338397, 758017, 758019, 758021 - PTO, CONTROL VALVE
31.104.AR	04	VAR - 337426, 337428, 337430, 337432, 338397, 758017, 758019, 758021 - PTO, CONTROL VALVE, COMPONENTS
31.104.AR	05	VAR - 332337, 332339, 337429, 337431, 391137, 758018, 758020, 759052 - PTO, CONTROL VALVE

TABLE OF CONTENTS

31.104.AR	06	VAR - 332337, 332339, 337429, 337431, 391137, 758018, 758020, 759052 - PTO, CONTROL VALVE, COMPONENTS
31.114.AB	01	VAR - 338178, 338181, 391141, 758028 - PTO 540E/1000 RPM, DRIVEN SHAFT
31.114.AB	02	VAR - 338179, 338182, 391145, 758025, 758029 - PTO 1000/1000E RPM, DRIVEN SHAFT
31.114.AB	03	VAR - 338183, 758031 - PTO 540/1000 RPM, DRIVEN SHAFT
31.114.AB	04	VAR - 338184, 758032 - PTO 540E/1000 RPM, DRIVEN SHAFT
31.114.AF	01	VAR - 338178, 338181, 338183, 338184, 391141, 391145, 758028, 758031, 758032 - PTO, 2-SPEED (540/1000, 540E/1000, 1000/1000E), OUTPUT SHAFT
31.114.AF	02	VAR - 338178, 338181, 338182, 338183, 338184, 391141, 391145, 758025, 758028, 758029, 758031, 758032 - PTO, 2-SPEED (540/1000, 540E/1000, 1000/1000E), OUTPUT SHAFT
31.114.AH	01	VAR - 391173 - PTO, HOUSING & COVERS
31.114.AH	02	VAR - 338179, 338182, 391145, 758025, 758029 - PTO 1000/1000E RPM, HOUSING
31.114.AH	03	VAR - 338183, 758031 - PTO 540/1000 RPM, HOUSING
31.114.AH	04	VAR - 338184, 758032 - PTO 540E/1000 RPM, HOUSING
31.114.AH	05	VAR - 338178, 338181, 338182, 338183, 338184, 391141, 391145, 758025, 758028, 758029, 758031, 758032 - PTO, 2-SPEED (540/1000, 540E/1000, 1000/1000E), HOUSING, MOUNTING
31.114.AH	06	VAR - 338178, 338181, 338182, 338183, 338184, 391141, 391145, 758025, 758028, 758029, 758031, 758032 - PTO, 2-SPEED (540/1000, 540E/1000, 1000/1000E), HOUSING, LEVEL, OIL
31.114.AI	02	VAR - 338178, 338179, 338181, 338182, 338184, 391141, 758025, 758028, 758029, 758032 - PTO 540/1000 RPM, PTO 540E/1000 RPM, PTO 1000/1000E RPM, CLUTCH
31.114.AI	03	VAR - 338183, 758031 - PTO 540/1000 RPM, CLUTCH
31.114.AJ	02	VAR - 338178, 338179, 338181, 338182, 338184, 391141, 758025, 758028, 758029, 758032 - PTO 540/1000 RPM, PTO 540E/1000 RPM, PTO 1000/1000E RPM, BRAKE
31.114.AJ	03	VAR - 338183, 758031 - PTO 540/1000 RPM, BRAKE
31.114.AO	01	VAR - 338178, 338181, 391141, 758028 - PTO 540E/1000 RPM, SELECTOR
31.114.AO	02	VAR - 338179, 338182, 391145, 758025, 758029 - PTO 1000/1000E RPM, SELECTOR
31.114.AO	03	VAR - 338183, 758031 - PTO 540/1000 RPM, SELECTOR
31.114.AO	04	VAR - 338184, 758032 - PTO 540E/1000 RPM, SELECTOR
31.114.AP	02	VAR - 338178, 338179, 338181, 338182, 338184, 391141, 391145, 758025, 758028, 758029, 758031, 758032 - PTO 540/1000 RPM, PTO 540E/1000 RPM, PTO 1000/1000E RPM, MAIN SHAFT, COMPONENTS
31.114.AP	04	VAR - 338178, 338179, 338181, 338182, 338184, 391141, 758025, 758028, 758029, 758032 - PTO 540/1000 RPM, PTO 540E/1000 RPM, PTO 1000/1000E RPM, MAIN SHAFT
31.114.AP	05	VAR - 391141, 758025, 758028, 758029, 758031, 758032 - PTO 540/1000 RPM, PTO 540E/1000 RPM, PTO 1000/1000E RPM, SHAFT
31.114.AP	06	VAR - 338178, 338179, 338181, 338182, 338183, 338184, 758018 - PTO 540/1000 RPM, PTO 540E/1000 RPM, PTO 1000/1000E RPM, MAIN SHAFT
31.114.AP	07	VAR - 338183, 758031 - PTO 540/1000 RPM, MAIN SHAFT
31.114.AP	08	VAR - 338183, 758031 - PTO 540/1000 RPM, MAIN SHAFT, COMPONENTS
31.114.AP	09	VAR - 337426, 337428, 337429, 337430, 337431, 337432, 391137, 758017, 758018, 758019, 758020, 758021, 759052 - PTO 540/1000 RPM, SPEED, WHEEL
31.116.AH	01	VAR - 391139, 758024 - PTO CLUTCH
31.119.AH	08	VAR - 338034, 338035, 338967, 338968, 391173, 758100, 758101, 758102, 758103, 758113, 758651, 758652, 758653, 758654, 758655, 758656, 758657, 758658 - PTO, HOUSING & COVERS
31.119.AP	04	VAR - 758030 - PTO 540/540E/1000/1000E RPM, DRIVE SHAFT, REAR
31.119.AP	05	VAR - 758030 - PTO 540/540E/1000/1000E RPM, DRIVE SHAFT, REAR
31.119.AP	06	VAR - 337426, 337428, 337429, 337430, 337431, 337432, 338397, 391137, 758017, 758018, 758019, 758020, 758021, 759052 - PTO 540/540E/1000/1000E, SPEED, WHEEL

TABLE OF CONTENTS

31.142.AF	01	VAR - 758091, 758245 - FRONT, 3 POINT HITCH, FRONT PTO, GEAR
31.142.AF	02	FVAR - 758093, 758247 - RONT, 3 POINT HITCH, COUPLING, W/ 2 COUPLERS, FRONT PTO, GEAR
31.146.AA	01	VAR - 758091, 758245 - FRONT, 3 POINT HITCH, FRONT PTO, CLUTCH, COMPONENTS
31.146.AA	02	VAR - 758091, 758245 - FRONT, 3 POINT HITCH, FRONT PTO, DRIVE SHAFT
31.146.AA	03	VAR - 758093, 758247 - FRONT, 3 POINT HITCH, W/ 2 COUPLERS, FRONT PTO, CLUTCH, COMPONENTS
31.146.AA	04	VAR - 758093, 758247 - FRONT, 3 POINT HITCH, W/ 2 COUPLERS, FRONT PTO, DRIVE SHAFT
31.146.AC	01	VAR - 758091, 758245 - FRONT, 3 POINT HITCH, FRONT PTO
31.146.AC	02	VAR - 758091, 758245 - FRONT, 3 POINT HITCH, FRONT PTO, HOUSING
31.146.AC	03	VAR - 758091, 758245 - FRONT, 3 POINT HITCH, FRONT PTO, HOUSING, COMPONENTS
31.146.AC	04	VAR - 758093, 758247 - FRONT, 3 POINT HITCH, W/ 2 COUPLERS, FRONT PTO
31.146.AC	05	VAR - 758093, 758247 - FRONT, 3 POINT HITCH, W/ 2 COUPLERS, FRONT PTO, HOUSING
31.146.AC	06	VAR - 758093, 758247 - FRONT, 3 POINT HITCH, W/ 2 COUPLERS, FRONT PTO, HOUSING, COMPONENTS
31.146.AE	01	VAR - 758091, 758245 - FRONT, 3 POINT HITCH, FRONT PTO, CLUTCH, COMPONENTS
31.146.AE	02	VAR - 758093, 758247 - FRONT, 3 POINT HITCH, CLUTCH, COMPONENTS
31.146.AL	01	VAR - 758091, 758245 - FRONT, 3 POINT HITCH, FRONT PTO, DRIVE SHAFT, COVER
31.146.AL	02	VAR - 758093, 758247 - FRONT, 3 POINT HITCH, W/ FRONT PTO, W/ 2 COUPLERS, DRIVE SHAFT, COVER
33.000.00	01	SECTION INDEX - BRAKES & CONTROLS
33.000.00	02	SECTION INDEX - BRAKES & CONTROLS
33.000.00	03	SECTION INDEX - BRAKES & CONTROLS
33.000.00	04	SECTION INDEX - BRAKES & CONTROLS
33.000.00	05	SECTION INDEX - BRAKES & CONTROLS
33.110.AJ	01	VAR - 391147 - HAND BRAKE, LEVER
33.110.AJ	02	VAR - 391147 - HAND BRAKE, LEVER, COMPONENTS
33.110.AJ	03	VAR - 391148, 758034 - HAND BRAKE, LEVER
33.110.AJ	04	VAR - 391148, 758034 - HAND BRAKE, LEVER , COMPONENTS
33.110.AJ	05	HAND BRAKE, TRAILER, BRACKET
33.110.AJ	05	TRAILER BRAKE, SUPPORT
33.110.AV	01	VAR - 391147 - PARKING BRAKE, DISC
33.110.AV	02	VAR - 391148 - PARKING BRAKE, DISC
33.110.AV	03	VAR - 758034 - PARKING BRAKE, DISC
33.110.AZ	01	VAR - 391147 - PARKING BRAKE, HOUSING
33.110.AZ	03	VAR - 758034 - PARKING BRAKE, HOUSING
33.110.BA	01	VAR - 391147 - PARKING BRAKE, LEVER
33.110.BA	02	VAR - 391148 - PARKING BRAKE, HOUSING
33.110.BA	03	VAR - 758034 - PARKING BRAKE, HOUSING

TABLE OF CONTENTS

33.202.AA		VAR - 391347, 758802, 758803, 758804, 758805, 758806, 758807, 758871 - BRAKE BOOSTER, ACCUMULATOR, AUTOGUIDANCE
33.202.AK	03	VAR - 758204 - TRANSMISSION, BRAKE DISC
33.202.AK	05	VAR - 391224 - TRANSMISSION, BRAKE DISC
33.202.AP	04	VAR - 337481, 337484, 337488, 391155, 758038, 758041, 758043 - BRAKE LINE, ANTILOCK BRAKING SYSTEM (ABS)
33.202.AP	05	VAR - 758040, 758042 - HYDRAULIC AND PNEUMATIC TRAILER BRAKE, LINE
33.202.AP	06	VAR - 337481, 337484, 337484, 337487, 337488, 337491, 391155, 758037, 758038, 758039, 758041, 758042, 758043, 758044 - TRAILER, BRAKE LINE
33.202.AP	07	VAR - 758037, 758039, 758044 - BRAKE LINE
33.202.AP	08	VAR - 337481, 337484, 337488, 391155, 758038, 758041, 758043 - PILOT VALVE, BRAKE LINE
33.202.AP	09	VAR - 337426, 337428, 337429, 337430, 337431, 337432, 391137, 758017, 758018, 758019, 758020, 758021, 759052 - BRAKE LINE, POWERSHIFT
33.202.AR		VAR - 391347, 758802, 758803, 758804, 758805, 758806, 758807, 758871 - BRAKE CYLINDER
33.202.BN	02	VAR - 391347, 758802, 758803, 758804, 758805, 758806, 758807, 758871 - PARKING BRAKE
33.202.BO	01	VAR - 391347, 758802, 758803, 758804, 758805, 758806, 758807, 758871 - BRAKE LINE
33.202.BO	03	VAR - 391347, 758802, 758803, 758804, 758805, 758806, 758807, 758871 - BRAKE LINE, POWERSHIFT
33.202.BO	04	VAR - 391347, 758802, 758803, 758804, 758805, 758806, 758807, 758871 - BRAKE LINE, AUTOGUIDANCE
33.204.AB	01	VAR - 337416, 758049 - FRONT AXLE, SUSPENDED, BLEED SCREW
33.204.AB	03	VAR - 758049 - SUSPENDED FRONT AXLE, W/ FRONT BRAKES, BLEED SCREW
33.204.AD	01	VAR - 337416, 758049 - FRONT AXLE, SUSPENDED, BRAKES
33.204.AD	03	VAR - 758049 - SUSPENDED FRONT AXLE, W/ FRONT BRAKES, BRAKES
33.204.AG	01	VAR - 758046 - FRONT AXLE, SUSPENDED W/BRAKES, BRAKE LINE
33.204.AG	02	VAR - 337416, 758049 - FRONT AXLE, BRAKE LINE
33.204.AG	03	VAR - 758048 - SUSPENDED FRONT AXLE, W/ BRAKE LINE
33.204.AG	05	VAR - 758049 - SUSPENDED FRONT AXLE, W/ FRONT BRAKES, BRAKE LINE
33.220.AM	04	VAR - 337482, 337491 - HYDRAULIC AND PNEUMATIC TRAILER BRAKE, BRAKE VALVE, ITALY, ANTILOCK BRAKING SYSTEM (ABS)
33.220.AM	08	VAR - 337487, 758040, 758042 - HYDRAULIC AND PNEUMATIC TRAILER BRAKE, MANIFOLD, W/O ANTILOCK BRAKING SYSTEM (ABS)
33.224.AC		VAR - 758038, 758039, 758041, 758042, 758043, 758044 - PNEUMATIC TRAILER BRAKE, AIR TANK, LINE
33.224.AF		VAR - 758038, 758039, 758041, 758042, 758043, 758044 - PNEUMATIC TRAILER BRAKE, AIR TANK
33.224.AG		VAR - 758038, 758039, 758041, 758042, 758043, 758044 - PNEUMATIC TRAILER BRAKE
33.224.AH	02	VAR - 758038, 758039, 758041, 758042, 758043, 758044 - TRAILER, BRAKE, COMPRESSOR
33.224.AJ	01	VAR - 758038, 758039, 758041, 758042, 758043, 758044 - TRAILER, BRAKE, COMPRESSOR, INLINE
33.224.AJ	02	VAR - 758038, 758039, 758041, 758042, 758043, 758044 - TRAILER, BRAKE, COMPRESSOR, DRAIN LINE
33.224.AJ	03	VAR - 337481, 337482, 337484, 337487, 337488, 337491, 758038, 758039, 758041, 758042, 758043, 758044 - TRAILER, BRAKE, COMPRESSOR, DRAIN LINE
33.224.AJ	07	VAR - 337481, 337482, 337484, 337487, 337488, 337491, 758038, 758039, 758041, 758042, 758043, 758044 - TRAILER, BRAKE, COMPRESSOR, DRAIN LINE
33.224.AL	02	VAR - 758038, 758039, 758041, 758042, 758043, 758044 - TRAILER, BRAKE, COMPRESSOR, BELT
33.224.AM	01	VAR - 758038, 758039, 758041, 758042, 758043, 758044 - TRAILER, BRAKE, COMPRESSOR, LUBRICATION LINE

TABLE OF CONTENTS

33.224.AO	02	VAR - 758038, 758039, 758041, 758042, 758043, 758044 - TRAILER, BRAKE, COMPRESSOR, PULLEY
33.224.AQ	03	VAR - 758038, 758039, 758041, 758042, 758043, 758044 - TRAILER BRAKE VALVE, PIPE
33.224.AZ	01	VAR - 337481, 337482, 337484, 337487, 337488, 337491, 758038, 758039, 758041, 758042, 758043, 758044 - PNEUMATIC TRAILER BRAKE, PNEUMATIC VALVE
33.224.AZ	02	VAR - 337481, 337482, 337484, 337487, 337488, 337491, 758038, 758039, 758041, 758042, 758043, 758044 - PNEUMATIC TRAILER BRAKE, QUICK-RELEASE, VALVE
33.224.AZ	04	VAR - 337481, 337482, 337488, 337491, 758038, 758039, 758043, 758044 - PNEUMATIC TRAILER BRAKE, PIPE
33.224.AZ	09	VAR - 337484, 337487, 758041, 758042 - PNEUMATIC TRAILER BRAKE, PIPE
33.224.AZ	10	VAR - 337481, 337482, 337484, 337487, 337488, 337491, 758038, 758039, 758041, 758042 - PNEUMATIC TRAILER BRAKE, PIPE
33.224.AZ	12	VAR - 758041, 758042, 758043, 758044 - PNEUMATIC TRAILER BRAKE, BRACKET
33.224.AZ	14	VAR - 758038, 758039 - PNEUMATIC TRAILER BRAKE, BRACKET, UNIVERSAL
33.224.BC		VAR - 758038, 758039, 758041, 758042, 758043, 758044 - PNEUMATIC TRAILER BRAKE, VALVE
33.350.AQ	01	VAR - 337484, 337487, 758041, 758042 - ANTILOCK BRAKING SYSTEM (ABS), QUICK COUPLER
33.350.AT	06	VAR - 758041, 758042 - ANTILOCK BRAKING SYSTEM (ABS), REAR, BRAKE LINE, ITALY
35.000.00	01	SECTION INDEX - HYDRAULIC SYSTEMS
35.000.00	02	SECTION INDEX - HYDRAULIC SYSTEMS
35.000.00	03	SECTION INDEX - HYDRAULIC SYSTEMS
35.000.00	04	SECTION INDEX - HYDRAULIC SYSTEMS
35.000.00	05	SECTION INDEX - HYDRAULIC SYSTEMS
35.000.00	06	SECTION INDEX - HYDRAULIC SYSTEMS
35.000.00	07	SECTION INDEX - HYDRAULIC SYSTEMS
35.100.AR	01	VAR - 758071, 758072, 758073, 758074, 758075, 758076, 758077, 758078, 758079, 758080, 758081, 758082, 758083 - REMOTE CONTROL VALVE (MHR), LIFT CYLINDER, LINE
35.100.AZ	03	VAR - 758040, 758042 - PRIORITY VALVE, ITALY
35.100.AZ	04	VAR - 758037, 758039, 758044 - TRAILER BRAKE, PRIORITY VALVE
35.100.AZ	07	VAR - 337481, 337484, 337488, 391155, 758038, 758041, 758043 - PRIORITY VALVE, ANTILOCK BRAKING SYSTEM (ABS)
35.100.BI	01	VAR - 391170, 758071, 758072, 758074 - LIFT CYLINDER
35.100.BI	02	VAR - 758075, 758076, 758077, 758079 - LIFT CYLINDER
35.100.BI	03	VAR - 758080, 758081, 758082, 758083 - LIFT CYLINDER
35.100.BI	05	VAR - 758075, 758076, 758077, 758079 - LIFT CYLINDER, COMPONENTS
35.100.BI	06	VAR - 758080, 758081, 758082, 758083 - LIFT CYLINDER, COMPONENTS
35.104.AA	01	VAR - 391161, 758056 - HYDRAULIC PUMP
35.106.AD	01	VAR - 391161 - VARIABLE DELIVERY HYDRAULIC PUMP, 120 L/MIN
35.106.AD	02	VAR - 758056 - VARIABLE DELIVERY HYDRAULIC PUMP, 140 L/MIN
35.124.AA	01	VAR - 758072, 758077, 758082 - SOLENOID VALVE
35.124.AA	03	VAR - 758072, 758077, 758082 - SOLENOID VALVE, COMPONENTS
35.124.AB	01	VAR - 758072, 758077, 758082 - SOLENOID VALVE, LINE
35.124.AB	03	VAR - 758072, 758077, 758082 - SOLENOID VALVE, PLUGS

TABLE OF CONTENTS

35.124.AD	01	VAR - 758071, 758076, 758081 - 3 POINT HITCH, TOP LINK
35.124.AD	02	VAR - 758071, 758076, 758081 - 3 HITCH POINT, TOP LINK, COMPONENTS
35.124.AD	03	VAR - 758072, 758077, 758082 - 3 POINT HITCH, TOP LINK
35.124.AD	04	VAR - 758071, 758072, 758076, 758077, 758081, 758082 - 3 HITCH POINT, TOP LINK, COMPONENTS
35.124.AE	01	VAR - 758072, 758077, 758082 - TOP LINK, LINE
35.124.AE	02	VAR - 758071, 758076, 758081 - 3 POINT HITCH, TOP LINK, LINE
35.124.AJ	01	VAR - 758072, 758077, 758082 - 3 HITCH POINT, HYDRAULIC LIFT, ARM
35.124.AJ	03	VAR - 758072, 758077, 758082 - 3 HITCH POINT, HYDRAULIC LIFT, ARM, COMPONENTS
35.160.AB	01	VAR - 758088, 758089, 758090 - 3 POINT HITCH, FRONT, W/O FRONT PTO, VALVE, LINE
35.160.AB	02	VAR - 758088, 758089, 758090 - 3 POINT HITCH, FRONT, VALVE, LINE, W/ SUPERSTEER™ FRONT AXLE
35.160.AB	03	VAR - 758092, 758246 - 3 POINT HITCH, FRONT, W/O FRONT PTO, W/ 2 COUPLERS, VALVE, LINE
35.160.AB	04	VAR - 758091, 758245 - 3 POINT HITCH, FRONT, W/O FRONT PTO, VALVE, LINE
35.160.AB	05	VAR - 758092, 758246 - 3 POINT HITCH, FRONT, W/ 2 COUPLERS, VALVE, LINE, W/ SUPERSTEER™ FRONT AXLE
35.160.AB	06	VAR - 758093, 758247 - 3 POINT HITCH, FRONT, W/O FRONT PTO, W/ 2 COUPLERS, VALVE, LINE
35.160.AB	07	VAR - 758092, 758246 - 3 POINT HITCH, FRONT, VALVE, LINE, MALE QUICK COUPLING, W/ SUPERSTEER™ FRONT AXLE
35.160.AF	01	VAR - 758088, 758089, 758090 - 3 POINT HITCH, FRONT, W/O FRONT PTO, VALVE
35.160.AF	02	VAR - 758088, 758089, 758090 - 3 POINT HITCH, FRONT, VALVE, W/ SUPERSTEER™ FRONT AXLE
35.160.AF	03	VAR - 758092, 758246 - 3 POINT HITCH, FRONT, W/O FRONT PTO, W/ 2 COUPLERS, VALVE
35.160.AF	04	VAR - 758091, 758245 - 3 POINT HITCH, FRONT, W/ FRONT PTO, VALVE
35.160.AF	05	VAR - 758092, 758246 - 3 POINT HITCH, FRONT, W/ 2 COUPLERS, VALVE, W/ SUPERSTEER™ FRONT AXLE
35.160.AF	06	VAR - 758093, 758247 - 3 POINT HITCH, FRONT, W/ FRONT PTO, W/ 2 COUPLERS, VALVE
35.160.AF	07	VAR - 758088, 758089, 758090, 758092, 758246 - 3 POINT HITCH, FRONT, VALVE, REPAIR KIT, W/ SUPERSTEER™ FRONT AXLE
35.160.AK	01	VAR - 758088, 758089, 758090 - 3 POINT HITCH, FRONT, W/O FRONT PTO, ACCUMULATOR
35.160.AK	02	VAR - 758088, 758089, 758090 - 3 POINT HITCH, FRONT, ACCUMULATOR, W/ SUPERSTEER™ FRONT AXLE
35.160.AK	03	VAR - 758092, 758246 - 3 POINT HITCH, FRONT, W/O FRONT PTO, W/ 2 COUPLERS, ACCUMULATOR
35.160.AK	04	VAR - 758091, 758245 - 3 POINT HITCH, FRONT, W/ FRONT PTO, ACCUMULATOR
35.160.AK	05	VAR - 758092, 758246 - 3 POINT HITCH, FRONT, W/ 2 COUPLERS, ACCUMULATOR, W/ SUPERSTEER™ FRONT AXLE
35.160.AK	06	VAR - 758093, 758247 - 3 POINT HITCH, FRONT, W/ FRONT PTO, W/ 2 COUPLERS, ACCUMULATOR
35.162.AB	01	VAR - 758088, 758089, 758090 - 3 POINT HITCH, FRONT, W/O FRONT PTO, CYLINDER
35.162.AB	02	VAR - 758088, 758089, 758090 - 3 POINT HITCH, FRONT, CYLINDER, W/ SUPERSTEER™ FRONT AXLE
35.162.AB	03	VAR - 758092, 758246 - 3 POINT HITCH, FRONT, W/O FRONT PTO, W/ 2 COUPLERS, CYLINDER
35.162.AB	04	VAR - 758091, 758245 - 3 POINT HITCH, FRONT, W/ FRONT PTO, CYLINDER
35.162.AB	05	VAR - 758092, 758246 - 3 POINT HITCH, FRONT, W/ 2 COUPLERS, CYLINDER, W/ SUPERSTEER™ FRONT AXLE
35.162.AB	06	VAR - 758093, 758247 - 3 POINT HITCH, FRONT, W/ FRONT PTO, W/ 2 COUPLERS, CYLINDER

TABLE OF CONTENTS

35.162.AG	01	VAR - 758088, 758089, 758090 - 3 POINT HITCH, FRONT, CYLINDER, LINE, W/ SUPERSTEER™ FRONT AXLE
35.162.AG	02	VAR - 758088, 758089, 758090 - 3 POINT HITCH, FRONT, W/O FRONT PTO, CYLINDER, LINE
35.162.AG	03	VAR - 758092, 758246 - 3 POINT HITCH, FRONT, W/O FRONT PTO, W/ 2 COUPLERS, CYLINDER, LINE
35.162.AG	04	VAR - 758092, 758246 - 3 POINT HITCH, FRONT, W/ 2 COUPLERS, CYLINDER, LINE, W/ SUPERSTEER™ FRONT AXLE
35.162.AG	05	VAR - 758092, 758246 - 3 POINT HITCH, FRONT, W/O FRONT PTO, W/ 2 COUPLERS, CYLINDER, LINE
35.162.AG	06	VAR - 758091, 758245 - 3 POINT HITCH, FRONT, W/ FRONT PTO, CYLINDER, LINE
35.162.AG	07	VAR - 758088 - 3 POINT HITCH, FRONT, CYLINDER, LINE
35.162.AG	08	VAR - 758093, 758247 - 3 POINT HITCH, FRONT, W/ FRONT PTO, W/ 2 COUPLERS, CYLINDER, LINE
35.162.AG	09	VAR - 758089, 758090, 758092 - 3 POINT HITCH, FRONT, CYLINDER, LINE
35.162.AG	10	VAR - 758088 - 3 POINT HITCH, FRONT, CYLINDER, LINE
35.162.AG	11	VAR - 758089, 758090, 758091, 758092, 758093, 758245, 758246, 758247 - 3 POINT HITCH, FRONT, CYLINDER, LINE
35.162.AG	12	VAR - 758093, 758247 - 3 POINT HITCH, FRONT, W/ FRONT PTO, W/ 2 COUPLERS, CYLINDER, LINE
35.162.AG	14	VAR - 758089, 758090, 758091, 758092, 758093, 758246, 758247 - 3 POINT HITCH, FRONT, CYLINDER, LINE
35.162.AG	14	VAR - 758092, 758093, 758246, 758247 - 3 POINT HITCH, FRONT, CYLINDER, LINE
35.162.AG	15	VAR - 758088, 758089, 758090, 758091, 758245 - 3 POINT HITCH, FRONT, CYLINDER LINE, W/O COUPLER
35.162.AG	16	VAR - 758092, 758093, 758246, 758247 - 3 POINT HITCH, FRONT, CYLINDER LINE, W/ COUPLER
35.162.AG	17	VAR - 758088 - 3 POINT HITCH, FRONT, CYLINDER, LINE
35.204.AX	01	VAR - 391164, 758058 - POWER BEYOND VALVE, COMPONENTS
35.204.AX	03	VAR - 391164, 758058 - POWER BEYOND VALVE, BRACKET
35.204.BB	01	VAR - 391164, 391165, 758058, 758059, 758060, 758061 - QUICK COUPLER, COMPONENTS
35.204.BB	04	VAR - 391164, 391165, 758058, 758059, 758060, 758061 - QUICK COUPLER, COMPONENTS
35.204.BB	05	VAR - 391164, 391165, 758058, 758059, 758060, 758061 - QUICK COUPLER, COMPONENTS
35.204.BB	06	VAR - 758058 - QUICK COUPLER, COMPONENTS
35.204.BE	01	VAR - 391164 - 3 REMOTE CONTROL VALVES (MHR)
35.204.BE	02	VAR - 391164 - 3 REMOTE CONTROL VALVES (MHR), COMPONENTS
35.204.BE	03	VAR - 391164 - 3 REMOTE CONTROL VALVES (MHR W/PB)
35.204.BE	04	VAR - 391164 - 3 REMOTE CONTROL VALVES (MHR W/PB), COMPONENTS
35.204.BE	05	VAR - 758058 - 4 REMOTE CONTROL VALVES (MHR)
35.204.BE	06	VAR - 758058 - 4 REMOTE CONTROL VALVES (MHR), COMPONENTS
35.204.BE	07	VAR - 758058 - 4 REMOTE CONTROL VALVES (MHR W/PB), COMPONENTS
35.204.BE	08	VAR - 758058 - 4 REMOTE CONTROL VALVES (MHR W/PB), COMPONENTS
35.204.BE	09	VAR - 391164, 758058 - CONTROL VALVE SECTION, COMPONENTS
35.204.BE	10	VAR - 391164, 758058 - CONTROL VALVE SECTION, COMPONENTS
35.204.BE	10	VAR - 391164, 758058 - CONTROL VALVE SECTION, COMPONENTS
35.204.BE	11	VAR - 391164, 758058 - CONTROL VALVE SECTION, COMPONENTS

**Thanks very much for your reading,
Want to get more information,
Please click here, Then get the complete
manual**

JustClickHere 

NOTE:

**If there is no response to click on the link above,
please download the PDF document first, and then
click on it.**

**Have any questions please write to me:
admin@servicemanualperfect.com**